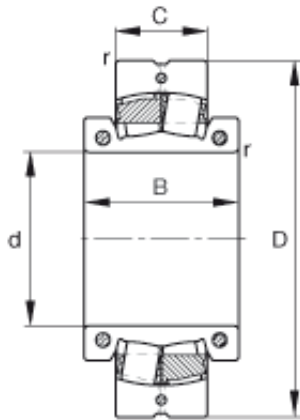




## Toyana BEARINGS Morocco



### 7 3/16 inch x 360 mm x 154 mm FAG 222S.703 Spherical Roller Bearings

Bearing No. 222S.703

222S.703 Bearing 2D drawings and 3D CAD models

Size	182.563x360x98 mm
Bore Diameter	182,563 mm
Outer Diameter	360 mm
Width	98 mm
d	182,563 mm
d	7 3/16 inch
D	360 mm
C	98 mm
B	154 mm
r <sub>min</sub>	4 mm
m	59 kg / Weight
C <sub>r</sub>	1140000 N / Dynamic load rating (radial)
e	0,25
Y <sub>1</sub>	2,71
Y <sub>2</sub>	4,04
C <sub>0r</sub>	1630000 N / Static load rating (radial)
Y <sub>0</sub>	2,65
n <sub>G</sub>	790 1/min / Limiting speed
C <sub>ur</sub>	104000 N / Fatigue limit load, radial
F <sub>a max</sub>	22200 N / Permissible axial load, for inner ring without axial abutment
M <sub>i</sub>	69 Nm / Tightening torque



## Toyana BEARINGS Morocco

	per clamping screw
$M_a$	35 Nm / Tightening torque per clamping screw
	22240K / Designation, spherical roller bearing, unsplit
	H3140.703
SNW40.703	Designation, adapter sleeve, US design