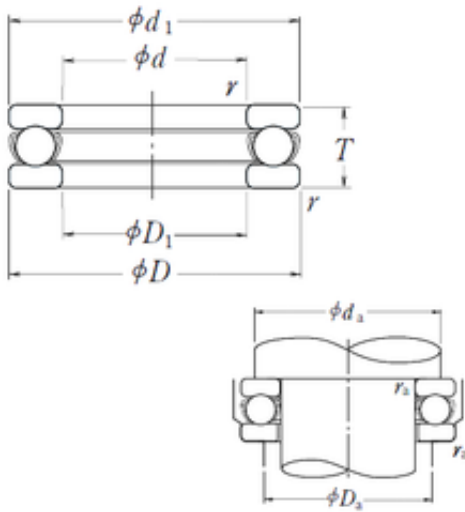




Toyana BEARINGS Morocco



51110 Bearing 2D drawings and 3D CAD models

NSK 51110 Bearing

Bearing No. 51110

Size	50x70x14 mm
Bore Diameter	50 mm
Outer Diameter	70 mm
Width	14 mm
d	50 mm
D	70 mm
T	14 mm
d1	70 mm
r min.	0,6 mm
D1	52 mm
da min.	62 mm
Da max.	58 mm
ra max.	0,6 mm
Weight	0,153 Kg
Basic dynamic load rating (C)	29 kN
Basic static load rating (C0)	75,5 kN
(Grease) Lubrication Speed	3200 r/min
Category	Thrust Ball Bearing
Inventory	0.0
Manufacturer Name	NSK
Minimum Buy Quantity	N/A
Weight / Kilogram	0.16
EAN	0029176026447
Product Group	B00308
Rolling Element	Ball Bearing
Thrust Bearing	Yes



Toyana BEARINGS Morocco

Single or Double Direction	Single Direction
Banded	No
Cage Material	Steel
Precision Class	Non-Precision
Component Description	Roller Assembly Plus Raceways
Other Features	Single Row With Flat Seat
Long Description	50MM Bore 1; 52MM Bore 2; 70MM Outside Diameter; 14MM Height; Ball Bearing; Single Direction; Not Banded; Steel Cage; Non-Precision
Inch - Metric	Metric
Category	Thrust Ball Bearings
UNSPSC	31171552
Harmonized Tariff Code	8482.10.50.08
Noun	Bearing
Keyword String	Ball Thrust
Manufacturer URL	http://www.nskamericas.com
Manufacturer Item Number	51110
Weight / LBS	0.33731
Overall Height with Aligning Washer	0 Inch 0 Millimeter
Bore 1	1.969 Inch 50 Millimeter
Outside Diameter	2.756 Inch 70 Millimeter
Height	0.551 Inch 14 Millimeter
Bore 2	2.047 Inch 52 Millimeter
bore diameter:	50 mm
static load capacity:	7700 kg
outside diameter:	70 mm
dynamic load capacity:	2960 kg
overall width:	14 mm



Toyana BEARINGS Morocco

operating temperature range:	Maximum of +120 ° C
thrust bearing type:	Single-Direction
maximum rpm:	4800 RPM
outside diameter design:	Straight
cage material:	Steel
separable or banded:	Separable
fillet radius:	0.6 mm
race type:	Flat
series:	511
precision rating:	ABEC 1 (ISO Class Normal)
SRI	3.9
hidYobi	51110
LangID	1
D_	70
SREX	0.04
C	29
B_	14
hidTable	ecat_NSSDTB
Oil rpm	4800
SRE	3.9
mass	0.153
GRS rpm	3200
ra	0.6
SRIX	0.04
D_a	58
SRIN	0
C0	75.5
SREN	0
D_1	52
Prod_Type3	TB_SD_WFS
da	62



Toyana BEARINGS Morocco

DA_	7.144
Z_	24
yobi	51110
SDM_	60
r	0.6
T_	14
KBRG	5111